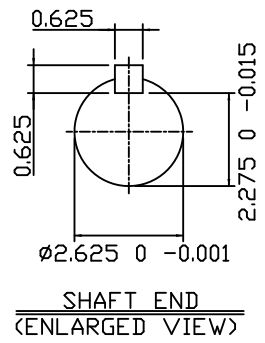
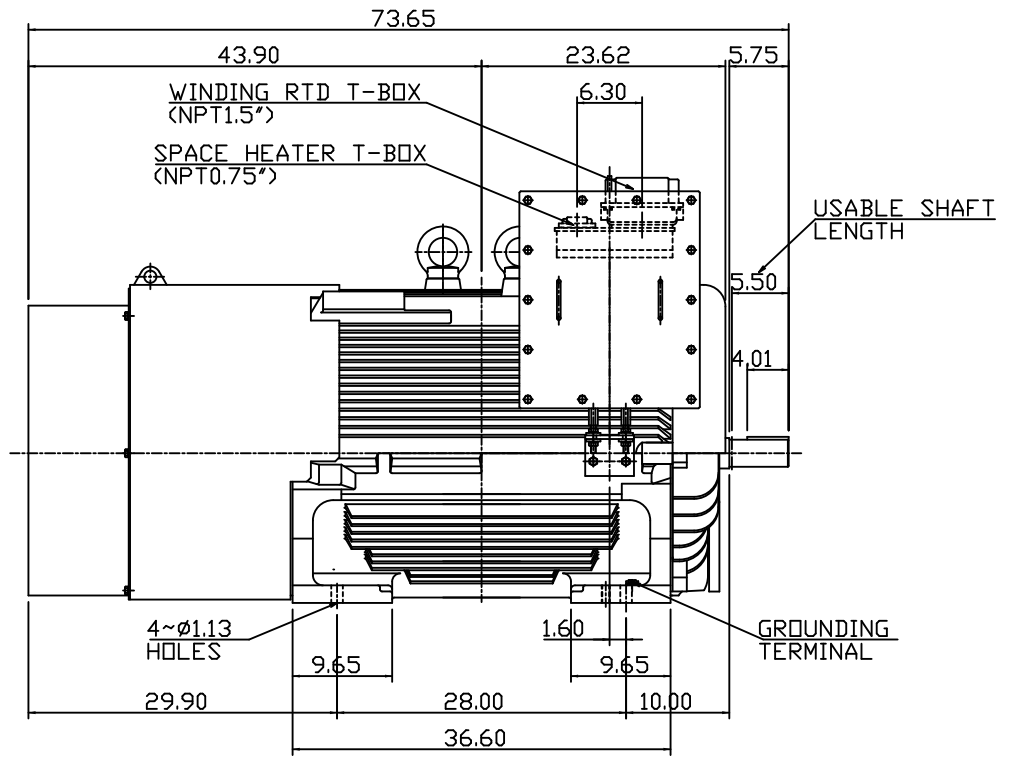
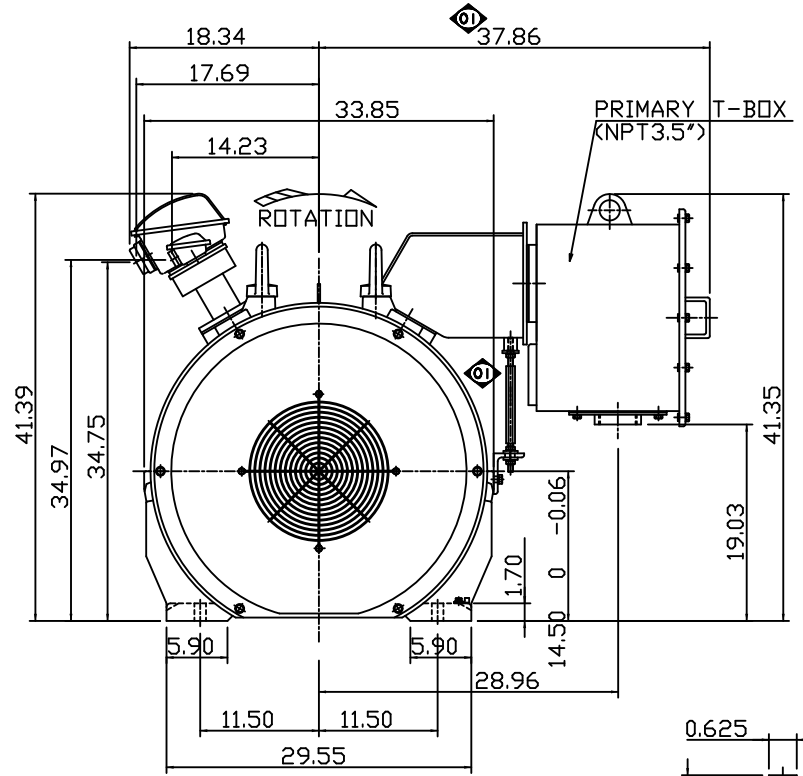


| TYPE  | OUTPUT |     | POLE | TIME RATING | VOLTAGE V | Hz | SYN.SPEED R.P.M |
|-------|--------|-----|------|-------------|-----------|----|-----------------|
|       | HP.    | kW. |      |             |           |    |                 |
| AEHGK | 500    | 373 | 2    | CONT.       | 2300/4160 | 60 | 3600            |

TOTALLY ENCLOSED FAN-COOLED TYPE, SQUIRREL-CAGE ROTOR



- NOTE:
1. DIMENSIONS IN INCH
  2. FRAME NO. 5808A
  3. F CLASS INSULATION, S.F.1.15
  4. FOR DIRECT FLEXIBLE COUPLING
  5. ENCLOSURE: IP54
  6. BEARING SIZE: DRIVE-END 6315C3  
OPP. DRIVE-END 6315C3
  7. WITH SPACE HEATER & WINDING RTD
  8. MOTOR APPROX. WEIGHT: 4700LBS

|                  |               |                         |
|------------------|---------------|-------------------------|
| DATE             | OCT. 31, 2014 | OUTLINE DIMENSIONS      |
| CATALOG #        | KG5002        | 3-PHASE INDUCTION MOTOR |
| DWN.             | Y.DU          | AUG-30-2011             |
| CHKD.            | H.HUANG       | AUG-30-2011             |
| APPD.            | B.LIN         | AUG-30-2011             |
| TEC Westinghouse |               | DWG NO. REV: 01         |
|                  |               | 4A040G948               |